



PORTABLE

HIGH-SPEED VENTILATOR



SELECTIVE COLOR

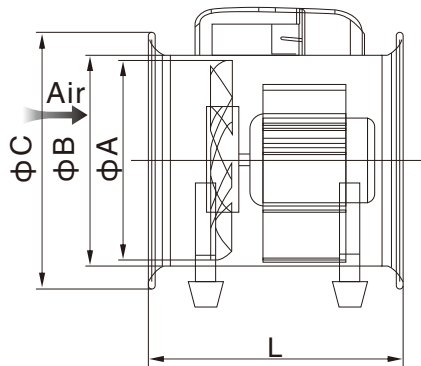
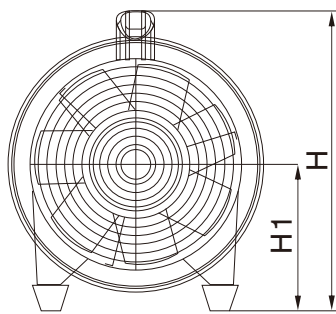


Product description:

The portable high-speed ventilator is blessed with low power consumption, high pressure, large air volume, low noise, move easily and so on. Portable ventilator cylinder body is composed of cold rolled plate surface spray, impeller for aluminum alloy material, pure copper wire motor, with a motor shell structure tensile aluminum fin. 8" to 16" with switch integrated injection handle, 16" to 20" inch with bilateral handle and button switch.

Application range:

Hose as ventilation fitting, used for exhaust waste gas or fresh air in long distance, deep working area, confined space and other bad air environment; especially suitable for exhausting welding gas, dust, paint when ship repair and building, exhausting ventilation for machinery chemical plant, factory warehouse, sewer, chemical tank to improve the work environment.



PV Series Reference dimension (unit:mm)

型号 MODEL	φA	φB	φC	L	H	H1
PV-20	200	210	245	280	342	154
PV-25	250	260	598	315	373	178
PV-30	280	292	345	350	402	196
PV-35	350	365	420	400	478	235
PV-40	395	415	475	400	518	281
PV-40(1)	395	415	475	400	548	281
PV-45	440	460	515	400	555	298
PV-50	490	515	570	400	592	307

Technical parameter:

Specification (mm)	Volt (V)	Cycle (Hz)	Air Volume Max (m ³ /min)	Total Pressure Max (Pa)	Power (W)	Rotation speed (r/min)	Blade Num (pieces)
PV-20(8 ")	110/220/240	50/60	25/35	250/420	150/200	2900/3300	7
PV-25(10 ")	110/220/240	50/60	45/55	300/450	350/400	2900/3300	7
PV-30(12 ")	110/220/240	50/60	62/72	350/500	550/600	2900/3300	7
PV-35(14 ")	110/220/240	50/60	85/102	380/550	750/900	2900/3300	6
PV-40(16 ")	110/220/240	50/60	128/154	450/600	1100/1500	2900/3300	6
PV-40S(16 ")	110/220/240	50/60	96/115	149/208	550/750	1450/1750	8
PV-45(18 ")	220/240	50	225	798	1500	2900	6
PV-45S(18 ")	110/220/240	50/60	133/160	160/224	650/850	1450/1750	8
PV-50(20 ")	220/240	50	330	986	2200	2900	6
PV-50S(20 ")	110/220/240	50/60	175/210	200/288	750/1100	1450/1750	8

• We will not inform you if we change the data in the form



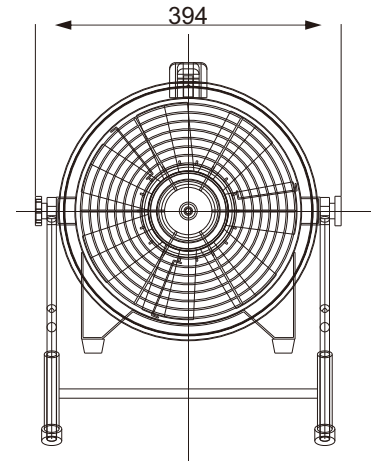
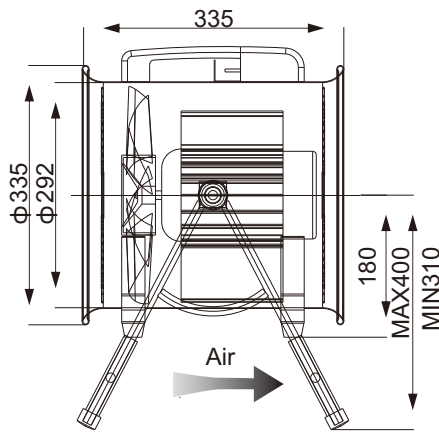
PORTABLE (position type) HIGH-SPEED VENTILATOR

Product description:

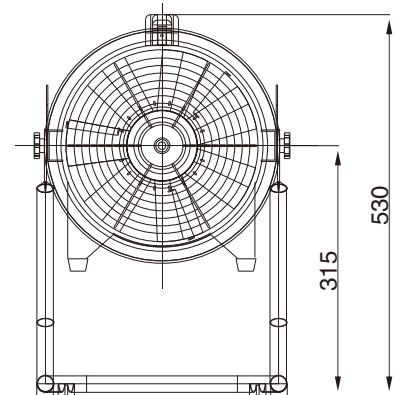
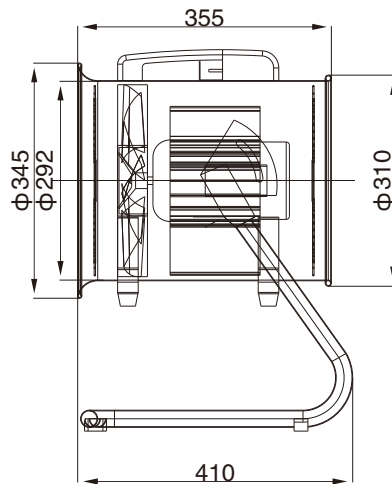
As the extension products of 12 inch portable ventilator, here with two type of foot for customer choice: A type foot, with more compact appearance, 360 degree rotatable and height adjustable S type foot, stretch its position to approve excellent streamline effect, can 90 degree rotatable With these two kind types of foot.it can be used in much more places such as supermarket, mobile phone stores for blowing inflatable mould and ribbon Compared with the traditional ventilator, this type is with more exquisite appearance and better effect



SELECTIVE COLOR



PV-30A Reference dimension (unit:mm)



PV-30S Reference dimension (unit:mm)

Technical parameter:

(mm)	(V)	(Hz)	Air Volume Max (m ³ /min)	(Pa)	(W)	(r/min)	Blade Num (pieces)
PV-12"-S	110/220/240	50/60	62/72	350/500	550/600	2900/3300	7

• We will not inform you if we change the data in the form



STRAIGHT VANE

MOVABLE VENTILATOR

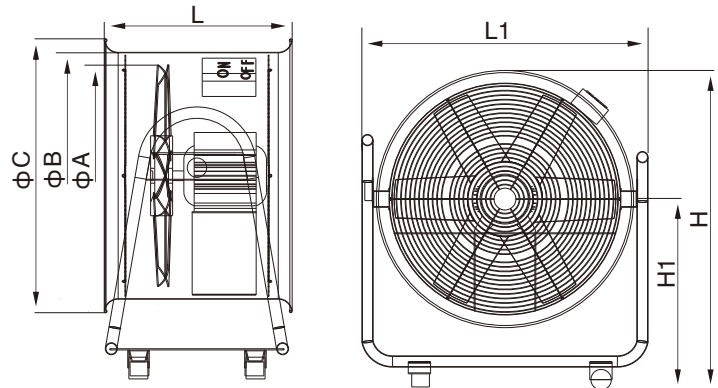


SELECTIVE COLOR



MV Series Reference dimension (unit : mm)

MODEL	ØA	ØB	ØC	L	K	H	H1
400/400S	390	415	470	350	535	615	380
450	440	460	520	400	595	665	405
450S	440	460	520	350	595	665	405
500	490	515	575	400	635	722	435
500S	490	515	575	350	635	722	435
600	590	615	683	470	775	856	515



Technical parameter:

Model	Voltage (V)	Frequency (Hz)	Power (W)	Speed (r/min)	Air Volume Max (m ³ /min)	Total Pressure Max (Pa)	Blade Num (pieces)	Impeller Diameter (mm)
MV-40	110/220/380	50/60	1100/1500	2900/3300	142/170	380/530	4	390
MV-40S	110/220/380	50/60	370/550	1450/1750	98/117	149/208	4	390
MV-45	220/380	50/60	1500/3000	2900/3300	250/300	750/930	4	440
MV-45S	110/220/380	50/60	550/750	1450/1750	133/160	150/210	4	440
MV-50	220/380	50	2200	2900	280	800	4	490
MV-50S	110/220/380	50/60	750/1100	1450/1750	166/192	170/238	4	490
MV-60	110/220/380	50/60	2200	1450/1750	290/348	300/420	6	590
MV-70	380	50/60	3000	1450/1750	408/490	350/490	4	690
MV-80	380	50/60	4000	1450/1750	620/744	380/530	6	790

• We will not inform you if we change the data in the form



JY SERIES

POST TYPE MOVABLE VENTILATOR

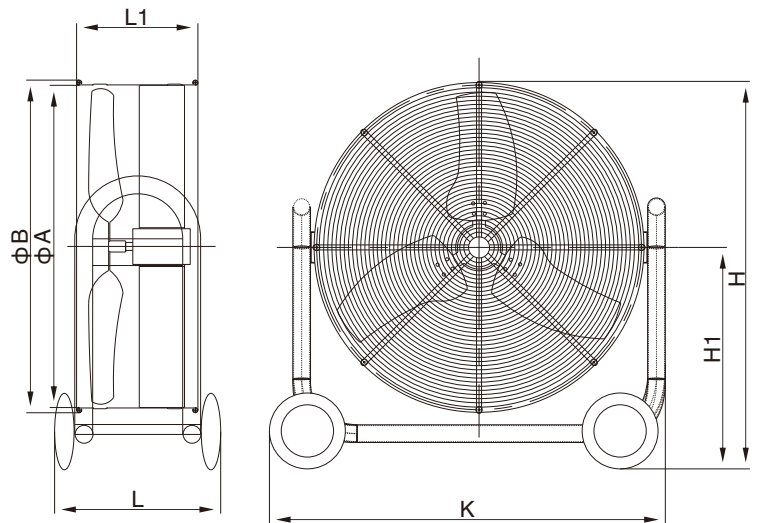


SELECTIVE COLOR



Product description:

Position cylinder series fan using the optimal blade design is blessed with the large air volume, small wind resistance, low noise. Using a new rolling technology, the appearance is beautiful and generous. Equipped with a 360 degree rotation tripod, can meet the full range of multi angle use, humanized design convenient movable casters. Suitable for indoor decoration, hotel, large construction site, gathering place and other places for ventilation.



Reference dimension (unit : mm)

MODEL	A	B	L	L1	H	H1	K
JY-60	640	670	435	350	730	395	815
JY-75	770	800	435	350	855	455	940
JY-90	930	960	550	350	1035	555	1120

Technical parameter:

Model	Voltage (V)	Frequency (Hz)	Power (W)	Air Volume Max (m ³ /min)	speed (r/min)	Noise dB(A)	Diameter of fan blades	Number of wheels
JY-60	110/220/380	50/60	480	210	950/1140	64	622	2
JY-75	110/220/380	50/60	510	265	950/1140	68	758	2
JY-90	110/220/380	50/60	600	292	950/1140	72	910	4

• We will not inform you if we change the data in the form



CENTRIFUGAL SPRAY FAN

Product description:

Based on the advanced centrifugal atomization principle, the centrifugal spray fans and spray fans can make water into supermicro small droplets by centrifugal force with rotating disk and droplet spraying device. The air flow mixed with droplets blown out by powerful fan can increase the evaporation rate of liquid surface and speed up the diffusion of gas molecules, so the evaporation of water will be greatly increased, during which the heat will be absorbed and the temperature will be decreased as well as increased air relative humidity, decreased bug dusts and purified air. It is applicable to a variety of cooling and sunstroke prevention places, such as workshops or warehouses of the industries in machinery, casting, forging, chemical industry, metallurgy, heat treatment, textile, glass products, flowers, breeding livestock, as well as places of amusement, supermarkets, hospitals, exhibition halls and so on.

Product Advantages:

Centrifugal atomization design, without nozzles and water filtration devices; atomization and air supply are driven respectively by independent electric motors, easy to be used and maintained; the size of atomization can be free to adjust; fast cooling and less power consumption; it can be turned within 90 degrees, and speed adjusting three gears; equipped with trolley for more convenient movement.



Technical parameter:

Model	Specification (mm)	Power (W)	Volt (V)	RotationSpeed (r/min)	Cycle (Hz)	Volume Flow (m ³ /h)	Tap Position	Shake Angle (O)	Effective Coverage (m ²)	Lowering Temperature (°C)	Water Tank Capacity (L)	Out The Amount of fog (kg/h)
MF-65A	650	230	220	1100-1450	50/60	6200-8280	3	< 90	20	3-5	41	0-6
MF-65B	650	230	220	1100-1450	50/60	6200-8280	3	< 90	20	3-5	41	0-6
MF-65B-RC	650	260	220	1100-1450	50/60	6200-8280	3	< 90	20	3-5	41	0-6
MF-65C	650	260	220	1100-1450	50/60	6200-8280	3	< 90	20	3-5	41	0-6

• We will not inform you if we change the data in the form



CENTRIFUGAL

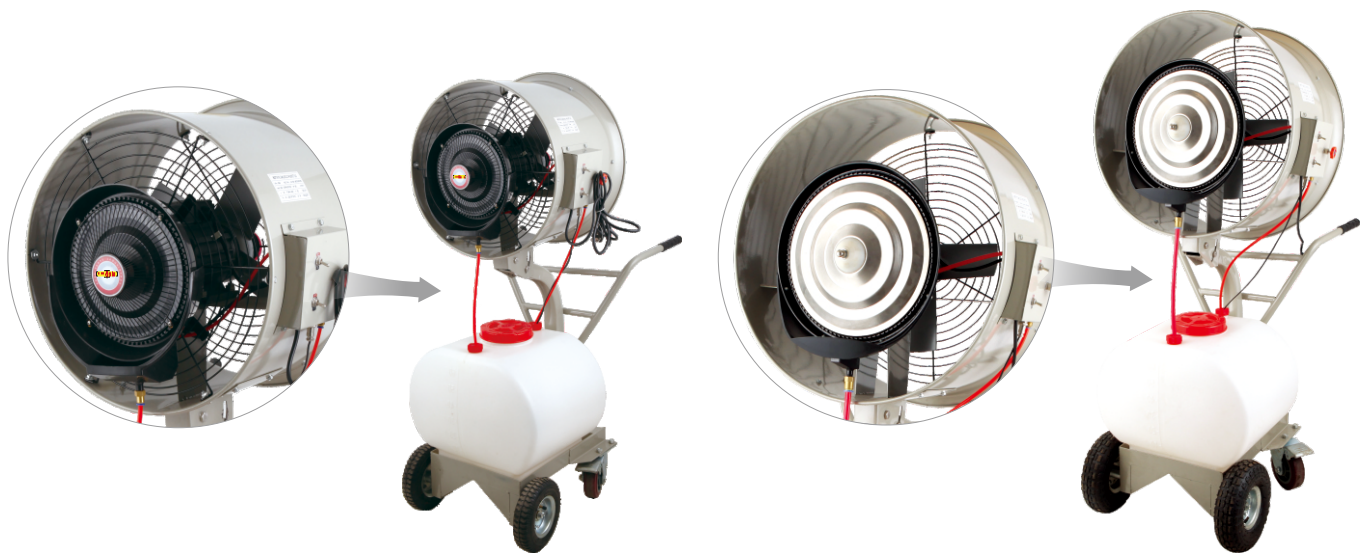
WATER MIST FAN

Product description:

Centrifugal mist fan through its motor drives the suction plate and atomized spray rotating in high speed producing negative pressure which can suck out the water from the storage tank continually. At the same time, water is broken into small parties by the centrifugal force of high speed rotation, and cash to the atomization grill in high speed secondly breaking into water mist ion about 10microns. The water mist ion was spray out from the air outlet by the fan wind and get into the air, cool the air thus reduce the air temperature. The fan equipped with a wheelbarrow to move conveniently.

Application range:

Centrifugal mist fan is widely used in livestock farms, factories and enterprises, greenhouse, plant, mechanic (wood) textile workshop, printing workshop, paint room, sewage treatment, mining, smelting, ceramic, deodorant, dustproof, outdoor occasion.



500mm

600mm

Technical parameter:

Model	Specification (mm)	Power (W)	Volt (V)	Rotation Speed (r/min)	Cycle (Hz)	Volume Flow (m ³ /h)	Tap Position	Shake Angle (O)	Effective Coverage (m ²)	Lowering Temperature (°C)	Water Tank Capacity (L)	Out The Amount of fog (kg/h)
MF-50	500	550	220	1450	50/60	5700	/	/	50	4-6	60	0-12
MF-60	600	750	220	2800	50/60	11000	/	/	70	6-8	60	0-20

• We will not inform you if we change the data in the form